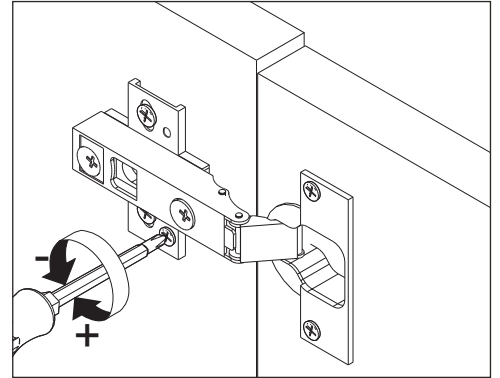
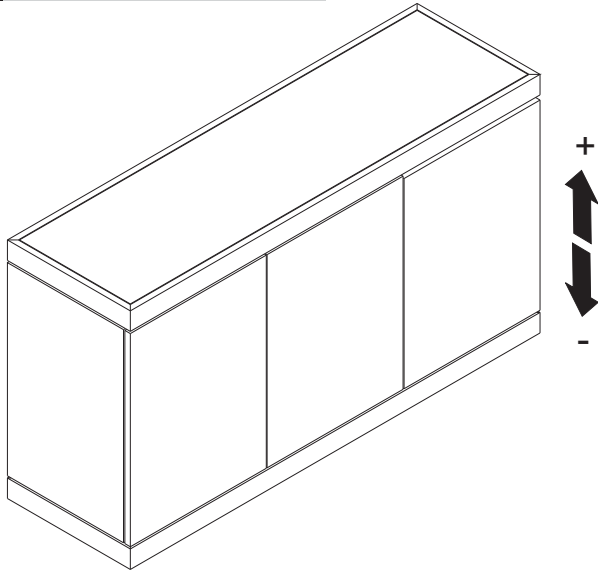
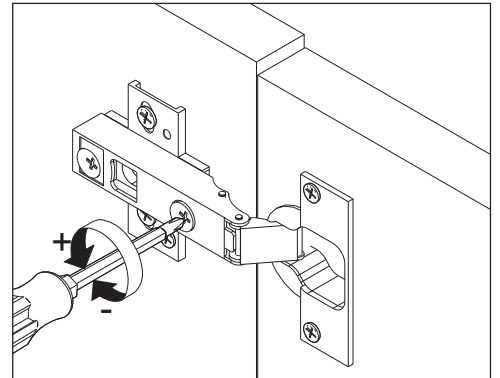
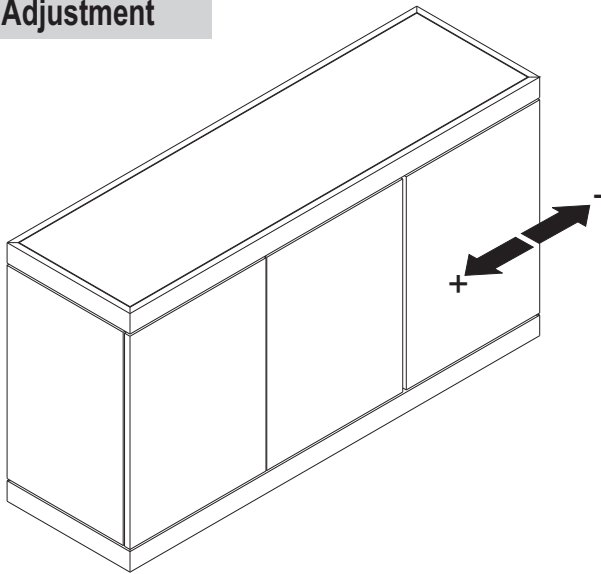


ASSEMBLY INSTRUCTION FOR HINGE ADJUSTMENT

A. Vertical Adjustment



B. Horizontal Adjustment



C. Depth Adjustment

