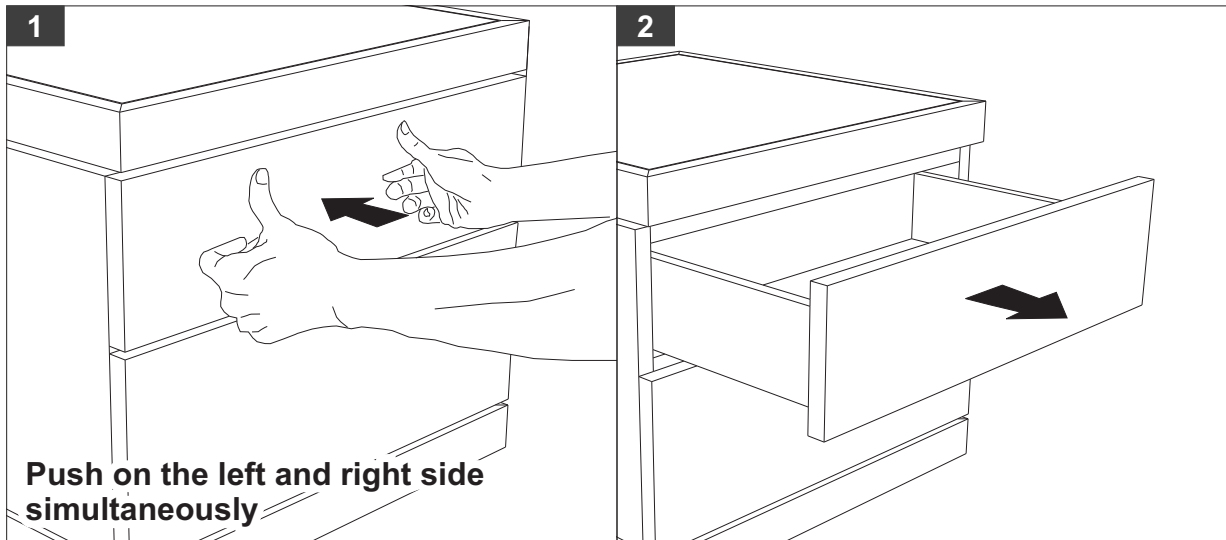
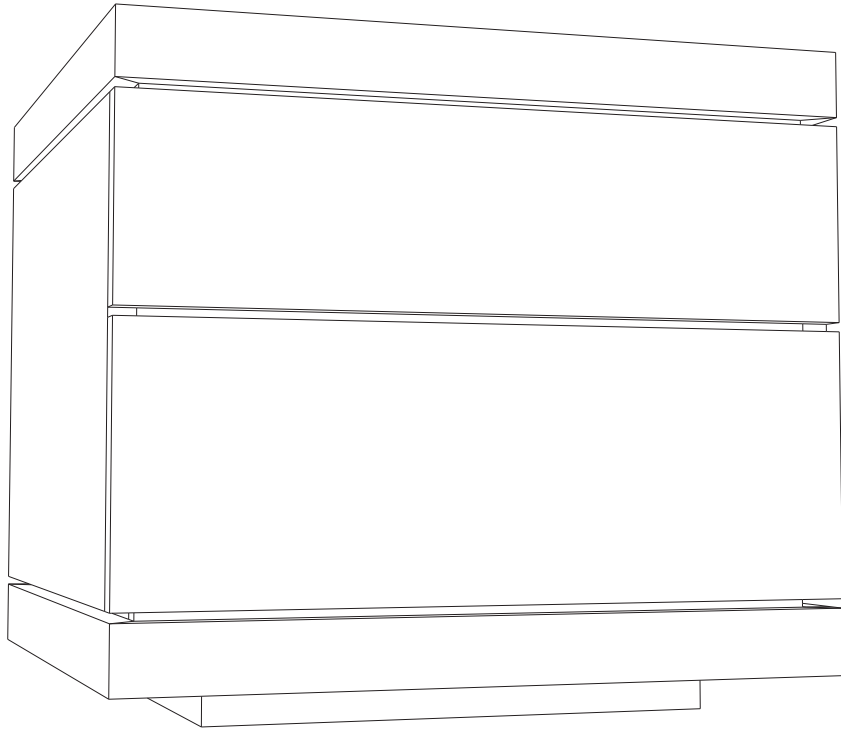
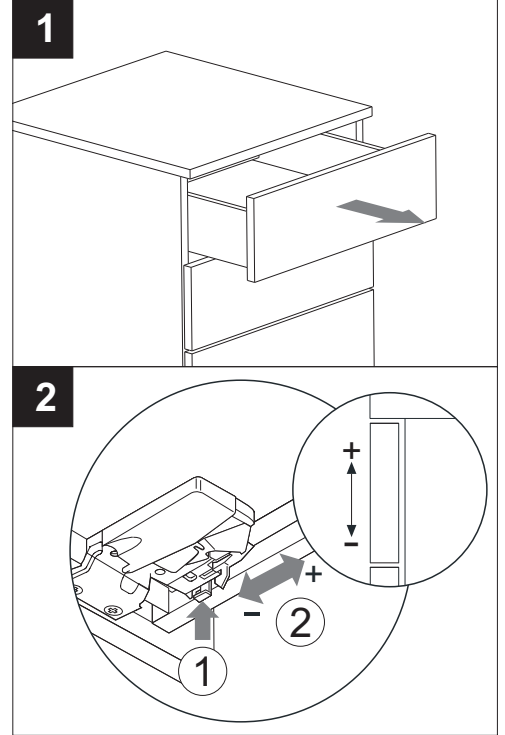
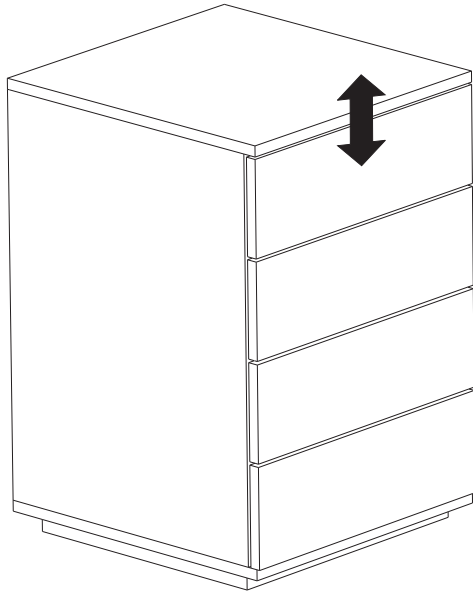


ASSEMBLY INSTRUCTION FOR PUSH TO OPEN DRAWERS

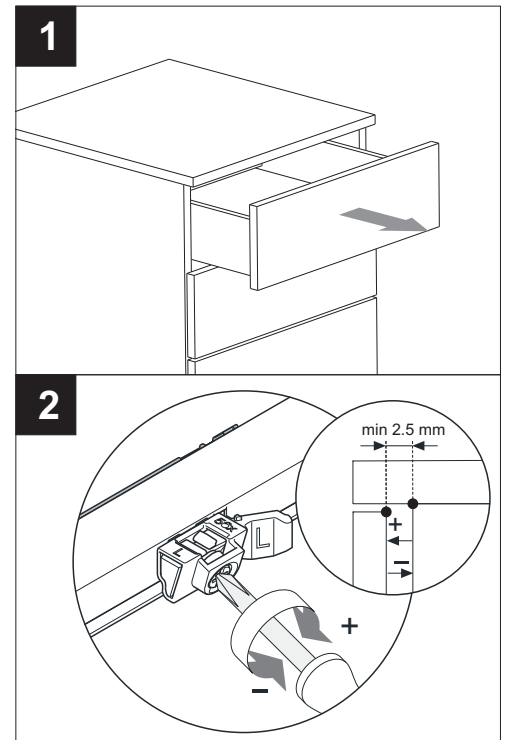
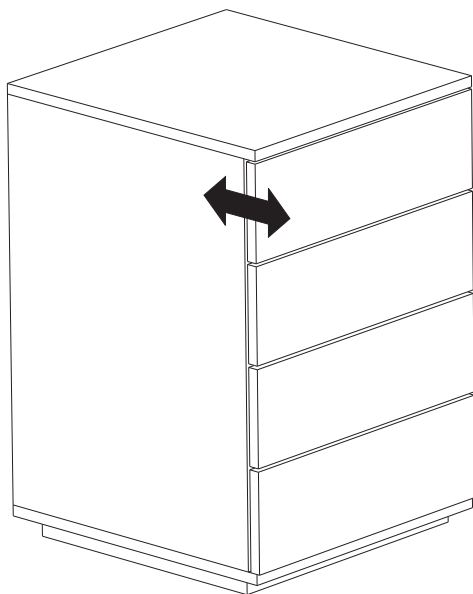


ASSEMBLY INSTRUCTION FOR ADJUSTING DRAWERS

A FRONT ALIGNMENT: HEIGHT ADJUSTMENT



B FRONT ALIGNMENT: DEPTH ADJUSTMENT



ASSEMBLY INSTRUCTION FOR ADJUSTING DRAWERS

C ADJUSTMENT WHEN DRAWER IS NOT OPENING OR CLOSING

